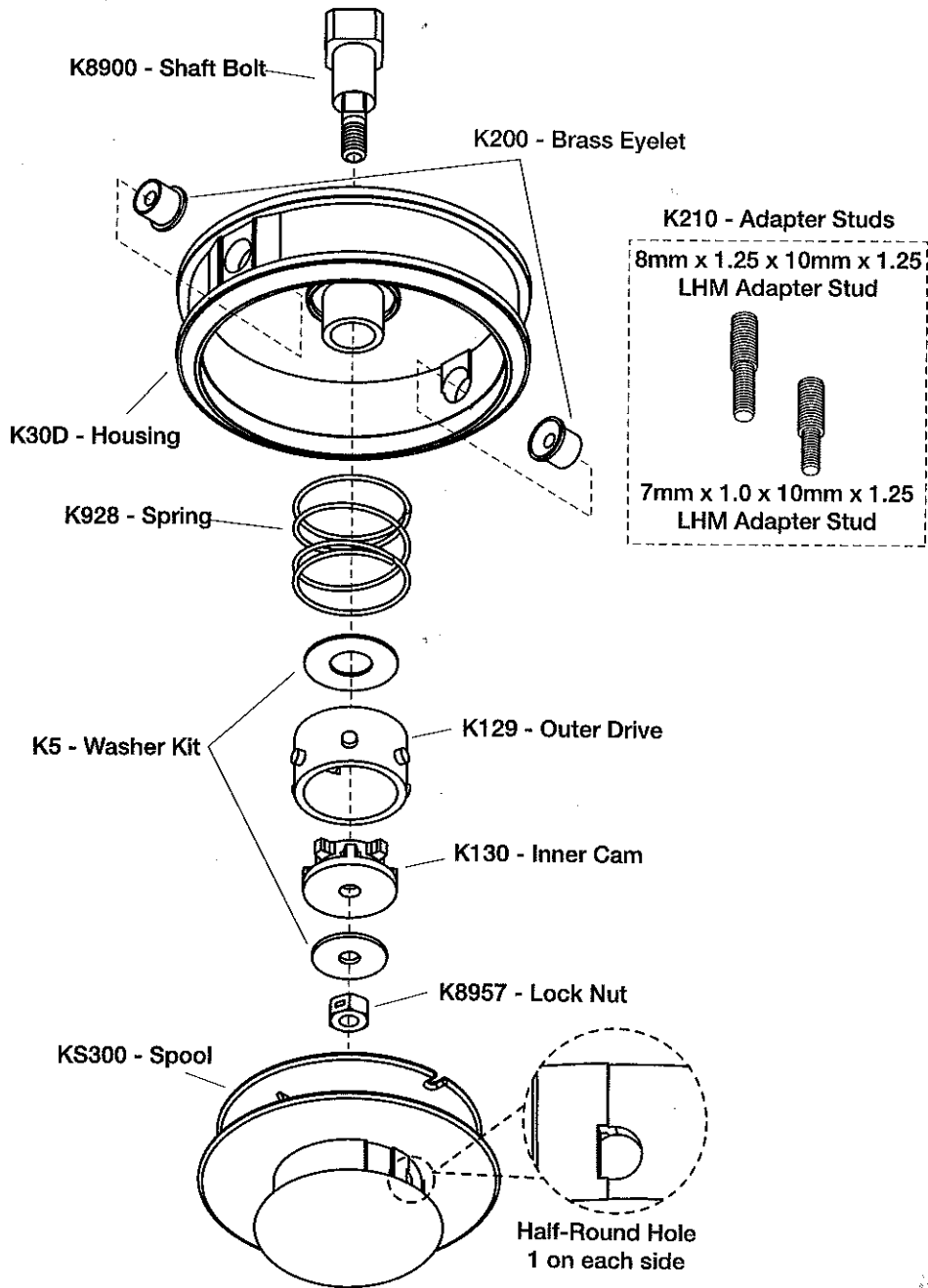
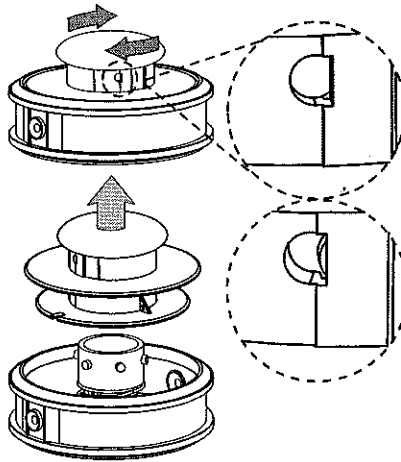


Service Instructions For **Semi-Matic Head**





Failure to do the following could result in serious personal injury.

Read and follow all instructions and warnings in your trimmer manual and these instructions.

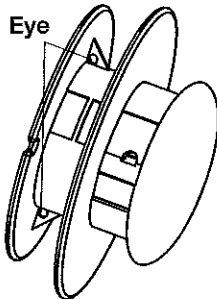
Do Not exceed the maximum rotation speed of 10,000 R.P.M. when using this head.

Always wear proper safety apparel during trimmer operation. Keep bystanders away 15m (50 ft.) during trimmer operation.

Inspect area and remove any foreign objects such as glass, cans, rocks, metals, wires, etc.

Never handle or change head or line while trimmer is on or running.

To Unassemble

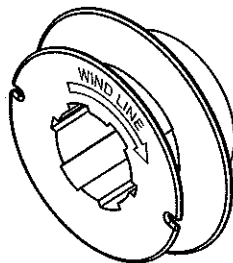


1. Turn spool clockwise until you hear a 'click' to unlock the spool from the posts on the outer drive.

2. Pull the spool away from the housing.
Do Not press the spool down into the housing

To Rewind Spool

1. Use one (1) line, 20' (6m) long.
2. Thread one end of the line through one of the eyes on the inside of the spool. Pull through until line is the same length on both sides.
3. Wind both ends of the line in the same direction as indicated on the bottom of the spool. Wind tightly and evenly from side to side and do not twist line.
4. When you have about 5" of line left, snap each line into the slots on the bottom of the spool.



To Reassemble

1. Pass line through the eyelets in the housing.
2. Align the slots on the bottom of the spool with the posts on the outer drive. Ensure the line does not slip under the spool.
3. Pull the lines outward to release them from the spool slots.
4. Turn spool counter-clockwise until posts 'click' into the half-round holes on the spool.

